



RETRACTABLE AWNINGS

For Technical Support visit us at <http://ownerscorner.sunsetter.com>,
e-mail contactus@sunsetter.com, or Call Toll Free 800-670-7071 • Fax 877-224-4944

VISTA and MOTORIZED Awning Aluminum Hood

Installation Instructions

Helper Needed

Tools Needed: Measuring Tape, Pencil, Step Ladders, 5/16 inch wrench, Phillips screwdriver, Flat tip screwdriver, scissors, Mallet or Hammer.

Parts Supplied:

Tube Contains: Hood Assembly (2pc), Wall Strip

Hardware Box Contains: Hood mount brackets, Hood end plates (2), Hood mounting bracket set screws (1 per bracket), Square Bar fitting (2), Phillips head screw for Square bar fitting (2), Flat washer for Square bar fitting (2), Phillips head screw for Hood End Plate (6), T-Handle Allen wrench for mounting bracket set screws (1).

Note: Visual Guide available on the Owner's Corner at www.sunsetter.com/ownerscorner, or on the Lateral Arm Awnings Installation DVD.

WARNING: FAILURE TO FOLLOW THESE INSTRUCTIONS COULD RESULT IN PERSONAL INJURY. PLEASE READ THESE INSTRUCTIONS COMPLETELY BEFORE ATTEMPTING TO INSTALL THE HOOD.

Note: The Aluminum Hood is only designed to be used with the Wall brackets (including roof mount - dealer option only - see Figure 16) and can not be used with Soffit brackets.

IF INSTALLING A HOOD COVER ON A WALL (OR ROOF - see Figure 16) MOUNTED AWNING THAT IS ALREADY INSTALLED: Make sure the Hood has sufficient clearance (Might not apply to roof mounted Awnings). The original Awning installation instructions required 8" of unobstructed space for the full width of your Awning. When installing a Hood on an existing Awning an additional 1" (3" for XL) of unobstructed space, for a total of 9" (11" for XL) of unobstructed space is required. Measure 2 1/4" up from the top of the Wall Bracket and make a mark on the wall, which indicates the space that the Hood will occupy.

If you do not have the necessary 9" or 11" of unobstructed space to install the Hood, reinstall the Awning and Wall Brackets lower on the wall.

If you have the required 9" or 11" of unobstructed space, then make sure that the Awning is fully retracted and on Motorized Awnings, unplug the power cord from the electrical outlet, then continue with Step 1 below.

Note: IF YOUR SUNSETTER AWNING HAS NOT BEEN INSTALLED YET ON YOUR HOME, please complete the Awning installation procedures thru Step 15 (see Owner's Manual and Installation Instructions that came with your Awning). Then continue with Step 1 below.

1. Before beginning, please familiarize yourself with the components of the Aluminum Hood. See **Figure 1.**

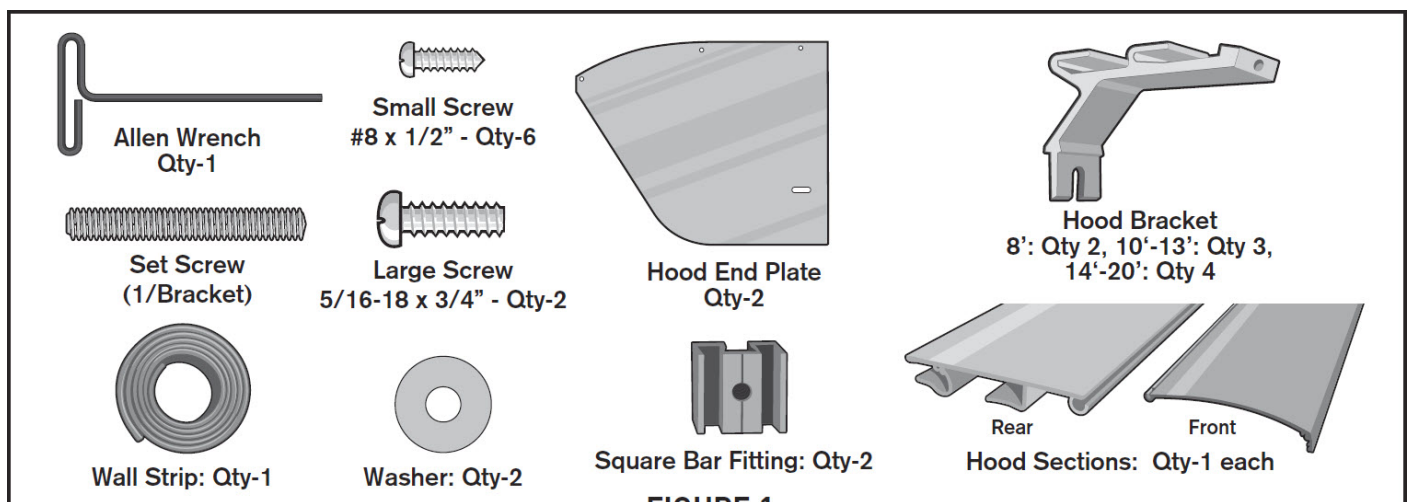


FIGURE 1

Note:

- For **8' to 13' Awnings**, install a **Hood Mounting Bracket** on each of the **Wall Brackets** supplied with your Awning.
 - For **14' to 20' Awnings**, install four (4) **Hood Mounting Brackets**, **2 Hood Mounting Brackets** on the **Wall brackets** closest to the ends of the **Awning** and **2 Hood Mounting Brackets** on the **Wall Brackets** that are closest to the center of the **Awning**.
2. Loosen the top **Lag Bolt** on one **Wall Bracket** approximately $\frac{1}{4}$ inch. For **Roof Mount Awnings**, loosen the top **Nut and Bolt** on one **Wall Bracket** approximately $\frac{1}{4}$ inch (see **Figure 16**). Insert slot on the **Hood Bracket** over the **Wall Bracket**, inside the loosened **lag bolt** and **washer**. Tighten the **Lag Bolt**. Make sure that the **Hood Mounting Bracket** is properly seated on the **Wall Bracket** and that the **Lag Bolt** is tight. See **Figure 2**. Repeat for all remaining brackets.

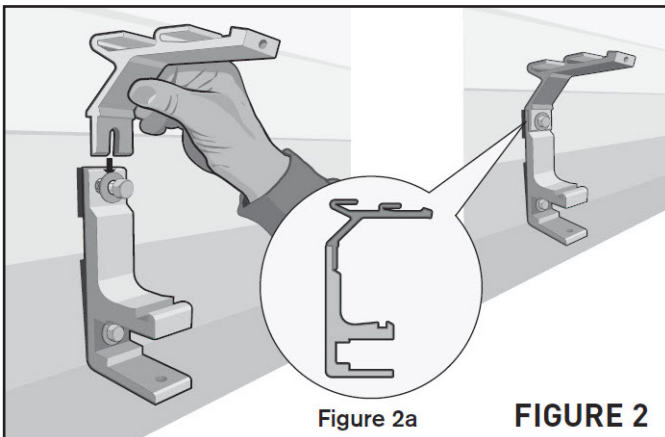
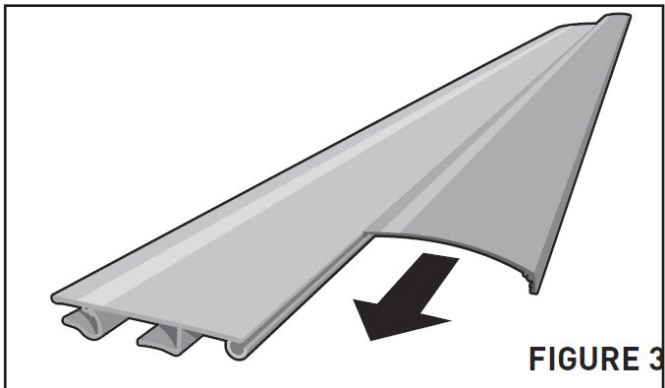


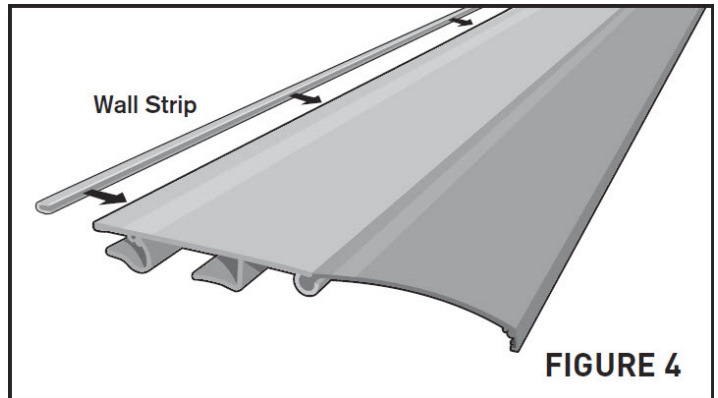
FIGURE 2

Note: If your Awning is installed continue with **Step 3**. **IF NOT** – Return to the **Awning Installation Instructions** and complete **Awning installation** through **Step 19** and then resume with **Step 3** below.

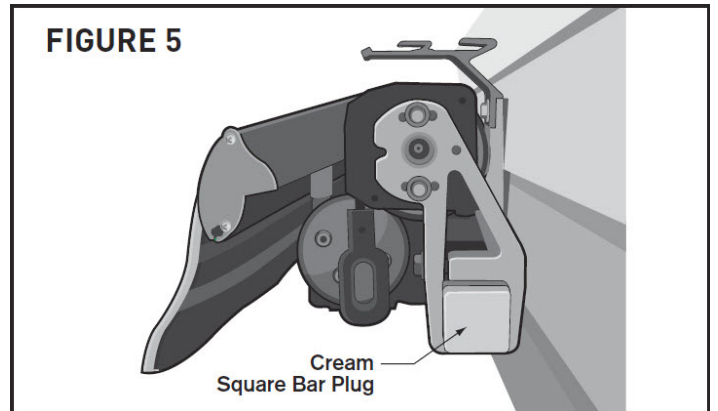
3. Slide the two **Hood sections** together (see **Figure 3**). **Note:** Ensure that you have adequate open space to complete this step. For example, a **12 foot Hood** will require **24 feet** of open space to begin joining the sections together.



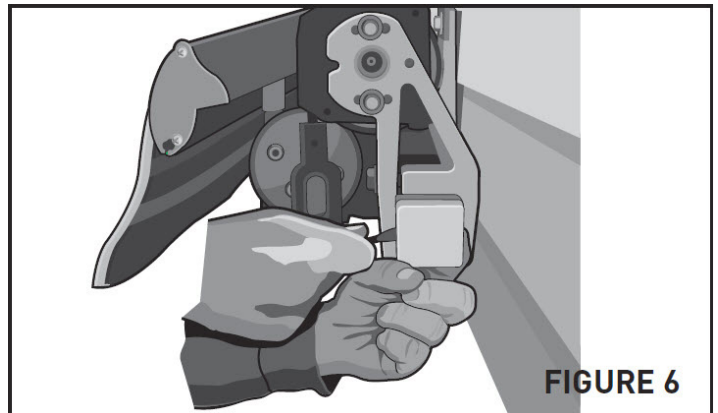
4. Locate and install the **Wall Strip** on to the rear **Hood extrusion** for the full length of the **Hood**. Trim the **Wall Strip** to the length of the **Hood**. **Note:** **Wall Strip** not required for **Roof Mounted Hoods** (see **Figure 16**). See **Figure 4**.



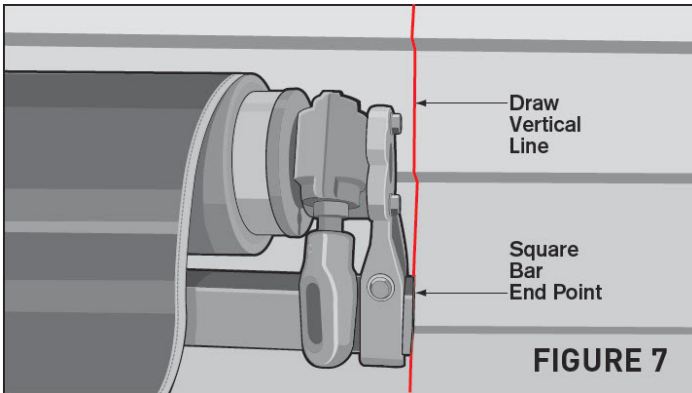
Note: Before completing the next **Step**, check to see if the **Cream Square Bar Plugs** are installed in each end of the **Awning Square Bar**. See **Figure 5**.



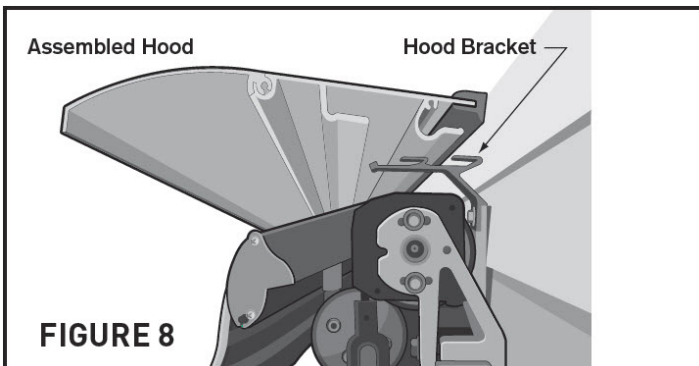
If the **Cream Square Bar Plugs** are installed, remove them from the **Square Bar** by gently prying them out using a **small flat tip screwdriver**. See **Figure 6**.



5. Draw a vertical line on the wall that will indicate the end points of the Awning Square Bar. **Note:** For Roof Mount Awnings (see Figure 16), mark this location on the roof, if possible. See **Figure 7**.

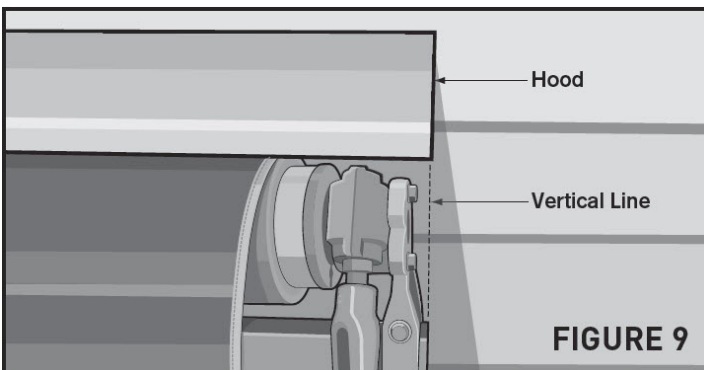


6. With the aid of your helper, lift the assembled Hood onto the top of the installed Hood brackets. See **Figure 8**.

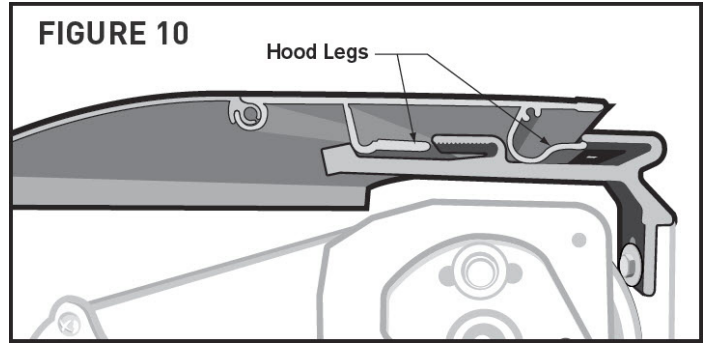


7. Align the end of the Hood with the Awning Square Bar end points with the line you drew in Step 5. See **Figure 9**.

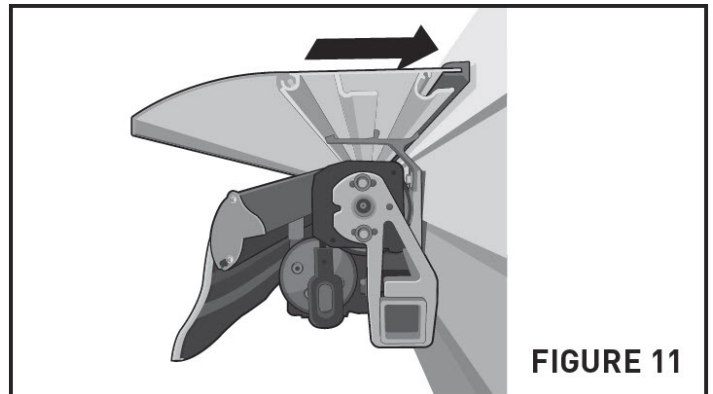
Note: Do not push the Hood back towards the house until step 9.



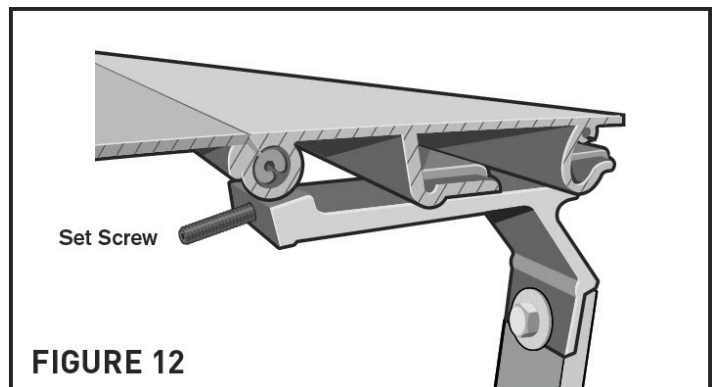
8. Orient the Legs on the Hood to line up with the Hood Brackets. See **Figure 10**.



9. Push the Hood back towards the Wall so that the Wall Strip is against the Wall (See **Figure 11**). If needed, gently tap the Hood to lock the Hood legs into the Hood Brackets.



10. Locate the T-Handle Allen wrench and Allen set screws provided for Hood Mounting Brackets. Insert an Allen set screw into the threaded hole on the Hood Mounting Bracket and tighten until the set screw is against the Hood extrusion leg (see **Figure 12**). Repeat for all remaining brackets.



WARNING: MAKE SURE THAT THE SET SCREW END IS IN CONTACT WITH THE HOOD LEG. SEE FIGURE 13.

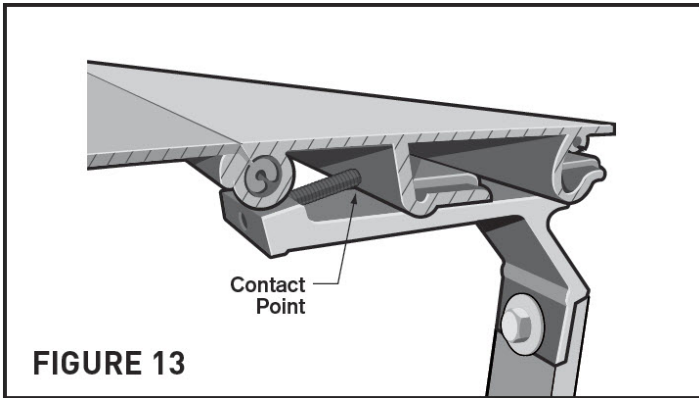


FIGURE 13

11. Install the Square Bar Fitting into the open end of the Square Bar with threads of the fitting facing out. Gently tap the fitting until it is flush with the end of the Square Bar. See **Figure 14**.

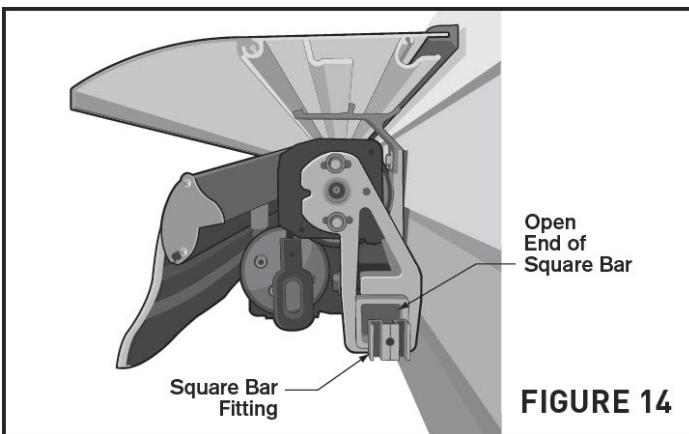


FIGURE 14

12. Secure the Hood End Plate to the Hood top assembly with three (3) small Phillips head screws, starting with the screw closest to the wall. See **Figure 15**.

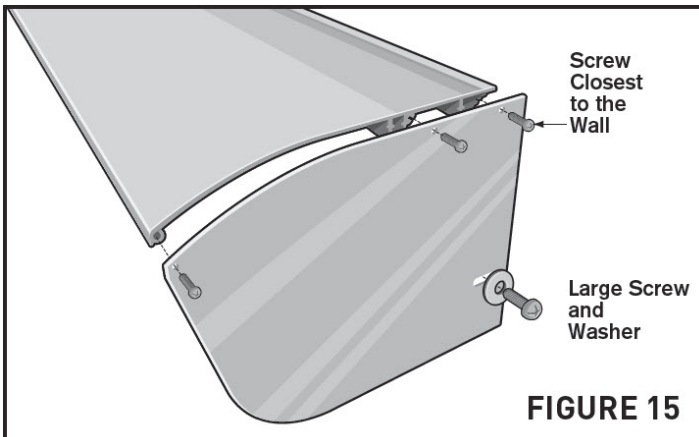


FIGURE 15

13. Install one of the larger Phillips head screw and flat washer thru the slot on the Hood End Plate and into the threads on the Square Bar Fitting, and tighten the screw. See **Figure 15**.
14. Repeat Steps 11 thru 13 for the other Hood End Plate.
15. This completes the Hood installation procedure.

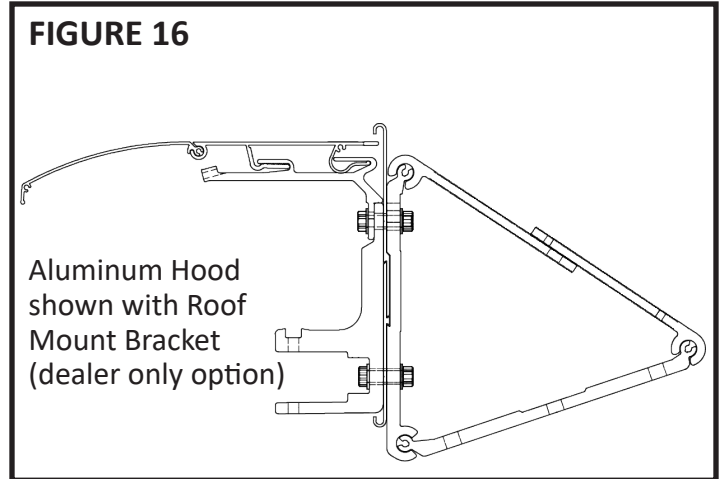


FIGURE 16

Final Procedures:

If the Awning was already installed when you started the Hood installation:

- **VISTA Models:** Using the crank wand, open and close your Awning and check for proper operation.
- **Motorized Models:** Plug the power cord back into the electrical outlet on the wall, and test the Awning for proper operation.

If you installed the Awning in conjunction with the Hood installation:

- **Return to the Awning Installation Instructions and continue with Step 16.**

Note: For Awnings with RTS motors (square black head on motor, using mechanical stop position buttons) installed on the Right: as you face the house. If you need to change or reset the Open/Close Stop Limits on the motor, you will need to temporarily remove the Right Hood End Plate to gain access to the mechanical stop position buttons.

Are you happy with the way your Awning operates?
If yes, enjoy your SunSetter Awning.